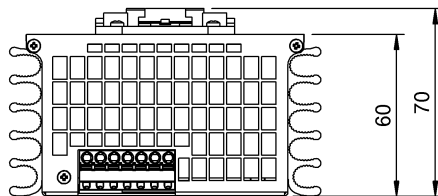
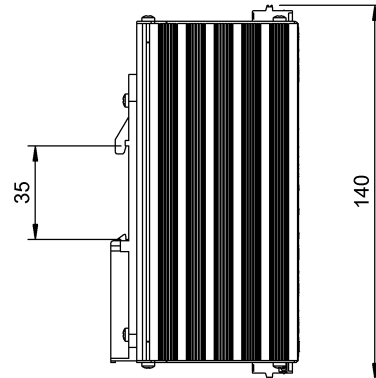
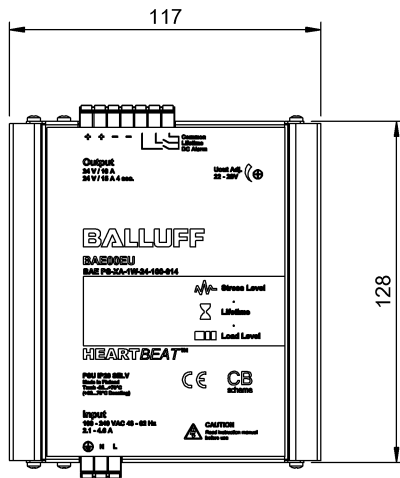


**BAE PS-XA-1W-24-100-014**  
**Ordering code: BAE00EU**

Power supply

Power Supply  
 Switch-mode power supply

**BALLUFF**  
*sensors worldwide*



**Characteristic data**

Series Intelligent  
 Indicator Load Level

**Electrical data**

Insulation resistance > 100 MΩ  
 Output voltage 24 V DC  
 Ripple 1 %  
 Inrush current < 20 A  
 Output current max. 15 A for max. 4 s  
 Switching frequency f ca. 125 kHz  
 Frequency range 48...62 Hz  
 Setting range 22...28 V DC  
 Switch-on time < 1 s  
 Settling time 1 ms  
 Voltage control ±1 %  
 Load control ±1 %  
 Rated input voltage 100...240 V AC  
 Input voltage range 135...340 V DC  
 Rated input current 2.1 A at 230 V AC  
 Rated output voltage 24 V DC  
 Output voltage tolerance -1...+3 %  
 Rated output current 10.0 A  
 Output power 240.0 W  
 Insulation voltage In-/Output 3000 V AC  
 Power-failure bridging > 100 ms at 230 V AC  
 Efficiency > 91 %  
 Derating -2.5 % / °C up from +60 °C

Multi unit operation  
 Power boost  
 Number of outputs

Parallel op.: not possible  
 150 % 4 s  
 1

**Mechanical data**

Ambient temperature Ta min. -25 °C  
 Ambient temperature Ta max. +70 °C  
 Storage temperature min. -25 °C  
 Storage temperature max. 85 °C  
 Housing material Metal/ aluminum  
 Temperature coefficient max. ±0.03 % / °C  
 Version DIN-Rail  
 Mounting type DIN rail mounting  
 Relative humidity 5... 95 %, non-condensing  
 Weight 1.15 kg  
 Connection Terminal 0.2 mm<sup>2</sup>... 2.5 mm<sup>2</sup>  
 Cooling Free convection  
 Overtemperature protected

**Basic data**

Basic standard EN 61204  
 Series Intelligent  
 Short-circuit protected Sustained short circuit-proof  
 Protection class I  
 Enclosure Type per IEC 60529 IP20  
 Degree of contamination 2

**BAE PS-XA-1W-24-100-014**  
**Ordering code: BAE00EU**

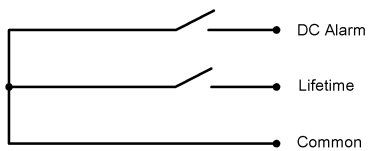
Power supply

Power Supply  
Switch-mode power supply

**BALLUFF**  
sensors worldwide

**Remarks**

Values measured at +25 °C and full load



Max. 220V DC, 0.2A  
Potential-free alarm contact

